

Feed-through blocks type WK/WKN

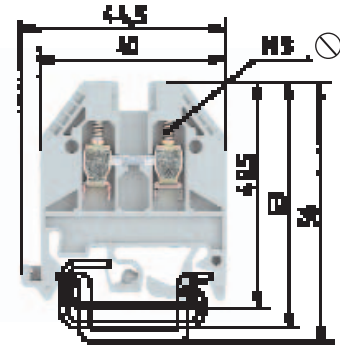
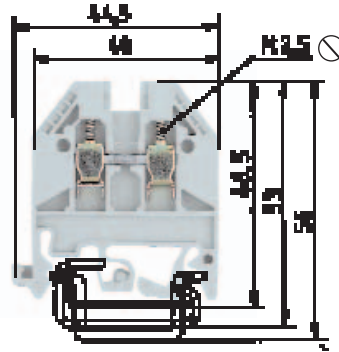
selosIOS

UL wire connection variations

⁴⁾ or 2x no. 14 sol/str AWG
or 2x no. 16 sol/str AWG
or 2x no. 18 sol/str AWG
or 3x no. 20 sol/str AWG or 3x no. 22 sol/str AWG

⁵⁾ or 2x no. 12 sol/str AWG
or 2x no. 16 sol/str AWG
or 3x no. 18 sol/str AWG or 3x no. 22 sol/str AWG

⁶⁾ or 2x no. 12 sol/str AWG
or 2x no. 14 sol/str AWG
or 3x no. 16 sol/str AWG



0344 II 2GD

EEx ell

EN 60 947-7-1/DIN VDE 0611 T1

UL ratings field/factory wiring

CSA ratings

KEMA 01 ATEX 2114 U¹⁾ EN 50019/EN 50014

Width Wire strip length

Approvals

WK 2,5/U

fine-stranded	solid	V	A
0.5 – 2.5 mm ²	0.5 – 4 mm ²	800 V/8 kV/3	24
No. 22-12 AWG		600 V	20/30
No. 24-12 AWG		600 V	25
0.5 – 2.5 mm ²	0.5 – 4 mm ²	750 V	23
5 mm			9 mm



WK 4/U

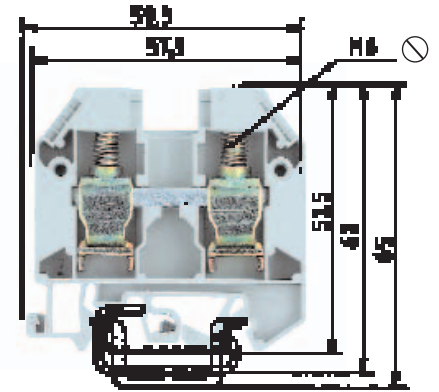
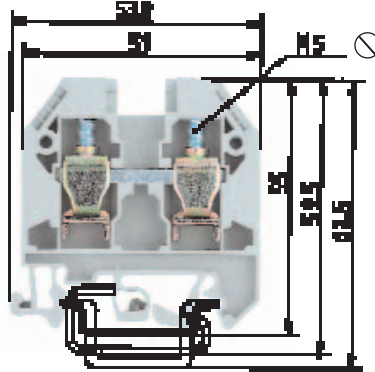
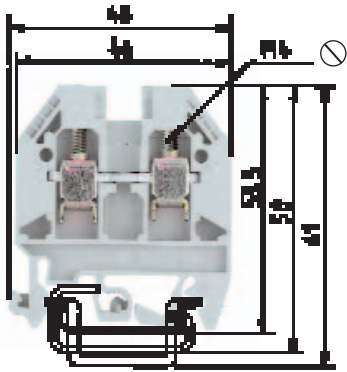
fine-stranded	solid	V	A
0.5 – 4 mm ²	0.5 – 6 mm ²	800 V/8 kV/3	32
No. 22-10 AWG ⁴⁾		600 V	30/35
No. 20-10 AWG		600 V	40
0.5 – 4 mm ²	0.5 – 6 mm ²	750 V	14/27 ³⁾
6 mm			9 mm



	Type	Part No.	Std. Pack	Type	Part No.	Std. Pack
Feed-through block	gray	WK 2,5/U	57.503.0055.0 100	WK 4/U	57.504.0055.0 100	
Feed-through block EEx i	blue	WK 2,5/U BLAU	57.503.0055.6 100	WK 4/U BLAU	57.504.0055.6 100	
Accessories						
1. Mounting rail TS 35, DIN rail 7.5 mm high L = 2 m	35 x 27 x 7,5 EN 60715	98.300.0000.0	1	35 x 27 x 7,5 EN 60715	98.300.0000.0	1
Mounting rail TS 35, DIN rail, 15 mm high L = 2 m	35 x 24 x 15 EN 60715	98.360.0000.0	1	35 x 24 x 15 EN 60715	98.360.0000.0	1
Mounting rail TS 32, G rail ²⁾ L = 2 m	9006 EN 60715 G-32	98.190.0000.0	1	9006 EN 60715 G-32	98.190.0000.0	1
2. End clamp with U-foot ²⁾ 10 mm wide	WE 1/U	Z5.523.5753.0	100	WE 1/U	Z5.523.5753.0	100
End clamp TS 35, with screw 8 mm wide	9708/2 S35	Z5.522.8553.0	100	9708/2 S35	Z5.522.8553.0	100
End clamp TS 32, with screw ²⁾ 7.5 mm wide	9708	Z5.522.7053.0	100	9708	Z5.522.7053.0	100
3. End plate, 1.5 mm thick	gray	AP 2,5 - 4	07.311.0155.0 10	AP 2,5 - 4	07.311.0155.0 10	
	blue	AP 2,5 - 4 BLAU	07.311.0155.6 10	AP 2,5 - 4 BLAU	07.311.0155.6 10	
End plate, 2 mm thick	gray					
	blue					
4. Partition, 1.5 mm thick	gray	TW 2,5 - 4	07.311.1155.0 10	TW 2,5 - 4	07.311.1155.0 10	
	blue	TW 2,5 - 4 BLAU	07.311.1155.6 10	TW 2,5 - 4 BLAU	07.311.1155.6 10	
Partition, 2 mm thick	gray					
	blue					
Partition, 3 mm thick	gray					
	blue					
5. Cross connector with screws, E-Cu insulated (jumper)	2 pole	IVB WK 2,5 - 2	Z7.280.2227.0 10	IVB WK 4 - 2	Z7.281.1227.0 10	
	3 pole	IVB WK 2,5 - 3	Z7.280.2327.0 10	IVB WK 4 - 3	Z7.281.1327.0 10	
	to 12 pole	IVB WK 2,5 - 12	Z7.280.3227.0 10	IVB WK 4 - 12	Z7.281.2227.0 10	
6. Single cover for cross conn. with mark.facility		AD VB 2,5 GELB	04.326.2053.8 10	AD VB 4 GELB	04.326.2153.8 10	
7. Partition plate with marking facility		TS 2,5 GELB	07.311.2053.8 10	TS 4 GELB	07.311.2153.8 10	
Partition plate with cover						
8. Cover strip for cross conn. over 10 blocks with test hole		AD VB 5/10 P GELB	04.342.3556.8 10	AD VB 6/10 P GELB	04.342.3656.8 10	
Cover strip with warning symbol over 4 blocks		AD VB 5/4 GELB	04.343.4756.8 10	AD VB 6/4 GELB	04.343.4856.8 10	
For more accessories see pages 216-229 and 238-243	*) For maintaining the proper isolation distances, the open side of a feed-through terminal block as well as both sides of a jumper are to be covered by partitions.					
For marking systems see pages 230-237	¹⁾ Please note the mounting instructions on page 126. ²⁾ Do not use in Ex environments. ³⁾ with/without jumper					

Feed-through blocks type WK/WKN

selos



WK 6/U

fine-stranded	solid	V	A
0.5 – 6 mm ²	0.5 – 10 mm ²	800 V/8 kV/3	41
No. 22-8 AWG ⁵⁾		600 V	50/50
No. 20-8 AWG		600 V	45
0.5 – 6 mm ²	0.5 – 10 mm ²	750 V	35/38 ³⁾
8 mm			11 mm



WKN 10/U

fine-stranded	solid/stranded	V	A
2.5 – 10 mm ²	1.5 – 16 mm ²	800 V/8 kV/3	57
No. 16-6 AWG ⁶⁾		600 V	65/65
No. 16-6 AWG		600 V	70
2.5 – 10 mm ²	1.5 – 16 mm ²	750 V	43/56 ³⁾
10 mm			13 mm



WKN 16/U

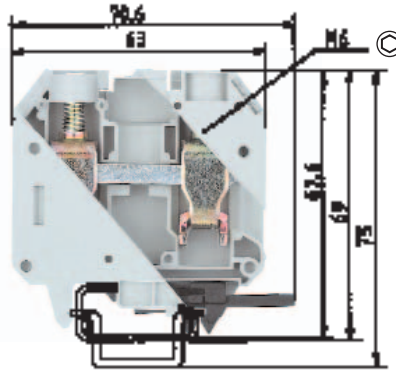
fine-stranded	solid/stranded	V	A
4 – 16 mm ²	1.5 – 25 mm ²	800 V/8 kV/3	71
No. 12-4 AWG		600 V	85/90
No. 14-4 AWG		600 V	95
4 – 16 mm ²	1.5 – 25 mm ²	750 V*	61/71 ³⁾
12 mm			15 mm



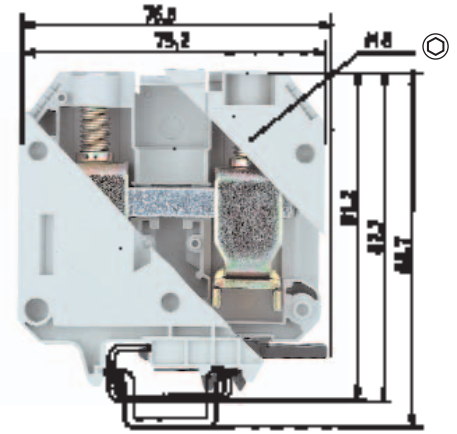
Type	Part No.	Std. Pack	Type	Part No.	Std. Pack	Type	Part No.	Std. Pack
WK 6/U	57.506.0055.0	100	WKN 10/U	57.510.0155.0	50	WKN 16/U	57.516.0155.0	50
WK 6/U BLAU	57.506.0055.6	100	WKN 10/U BLAU	57.510.0155.6	50	WKN 16/U BLAU	57.516.0155.6	50
35 x 27 x 7,5 EN 60715	98.300.0000.0	1	35 x 27 x 7,5 EN 60715	98.300.0000.0	1	35 x 27 x 7,5 EN 60715	98.300.0000.0	1
35 x 24 x 15 EN 60715	98.360.0000.0	1	35 x 24 x 15 EN 60715	98.360.0000.0	1	35 x 24 x 15 EN 60715	98.360.0000.0	1
9006 EN 60715 G-32	98.190.0000.0	1	9006 EN 60715 G-32	98.190.0000.0	1	9006 EN 60715 G-32	98.190.0000.0	1
WE 1/U	Z5.523.5753.0	100	WE 1/U	Z5.523.5753.0	100	WE 1/U	Z5.523.5753.0	100
9708/2 S35	Z5.522.8553.0	100	9708/2 S35	Z5.522.8553.0	100	9708/2 S 35	Z5.522.8553.0	100
9708	Z5.522.7053.0	100	9708	Z5.522.7053.0	100	9708	Z5.522.7053.0	100
AP 6	07.311.0255.0	10	APN 10	07.311.6655.0	10			
AP 6 BLAU	07.311.0255.6	10	APN 10 BLAU	07.311.6655.6	10	APN 16	07.311.6755.0	10
						APN 16 BLAU	07.311.6755.6	10
TW 6	07.311.1255.0	10	TWN 10	07.311.7655.0	10			
TW 6 BLAU	07.311.1255.6	10	TWN 10 BLAU	07.311.7655.6	10	TWN 16	07.311.7755.0	10
						TWN 16 BLAU	07.311.7755.6	10
IVB WK 6 - 2	Z7.282.2227.0	10	IVB WKN 10 - 2	Z7.283.2227.0	10	IVB WKN 16 - 2	Z7.284.2227.0	10
IVB WK 6 - 3	Z7.282.2327.0	10	IVB WKN 10 - 3	Z7.283.2327.0	10	IVB WKN 16 - 3	Z7.284.2327.0	10
IVB WK 6 - 12	Z7.282.3227.0	10	IVB WKN 10 - 12	Z7.283.3227.0	10	IVB WKN 16 - 12	Z7.284.3227.0	10
AD VB 6 GELB	04.326.2253.8	10	AD VB 10 GELB	04.326.2353.8	10	TSN 16 GELB	07.311.8453.8	10
TS 6 GELB	07.311.2253.8	10	TS 10 GELB	07.311.2353.8	10	TSN AD 16 GELB	07.311.8553.8	10
AD VB 8/10 P GELB	04.342.3856.8	10	AD VB 10/10 P GELB	04.342.4056.8	10			
AD VB 8/4 GELB	04.343.4956.8	10	AD VB 10/4 GELB	04.343.5056.8	10	AD VB 12/4 GELB	04.343.5156.8	10

Feed-through blocks type WKN

selos



enclosed design



enclosed design

0344 II 2GD
 EEx eII
 EN 60 947-7-1/DIN VDE 0611 T1
 UL ratings field/factory wiring
 CSA ratings
 KEMA 01 ATEX 2114 U¹⁾ EN 50019/EN 50014
 Width Wire strip length
 Approvals

WKN 35/U

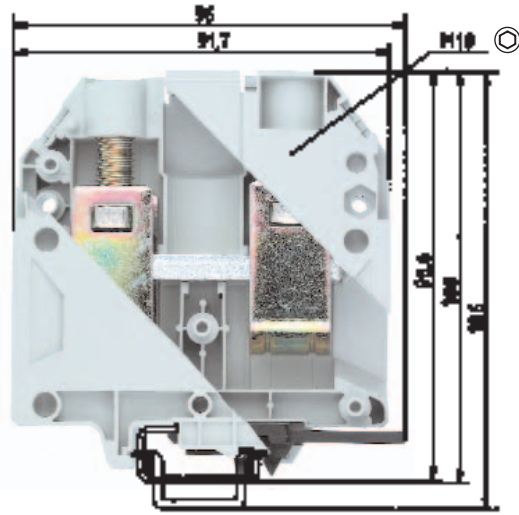
fine-stranded	stranded	V	A
10–35 mm ²	10–50 mm ²	800 V/8 kV/3	124
No. 10-1/0 AWG		600 V	150
No. 12-2 AWG		600 V	110
10–35 mm ²	10–50 mm ²	750 V*	86/124 ³⁾
16 mm			18 mm

WKN 70/U

fine-stranded	stranded	V	A
10–70 mm ²	16–95 mm ²	800 V/8 kV/3	179
No. 6-2/0 AWG		600 V	175/175
No. 6-2/0 AWG		600 V	170
10–70 mm ²	16–95 mm ²	750 V	179/179 ³⁾
24 mm			24 mm

	Type	Part No.	Std. Pack	Type	Part No.	Std. Pack
Feed-through block	gray	WKN 35/U	57.535.0155.0 20	WKN 70/U	57.570.0155.0 20	
Feed-through block EEx i	blue	WKN 35/U BLAU	57.535.0155.6 20	WKN 70/U BLAU	57.570.0155.6 20	
Accessories						
1. Mounting rail TS 35, DIN rail 7.5 mm high L = 2 m	35 x 27 x 7,5 EN 60715	98.300.0000.0	1	35 x 27 x 7,5 EN 60715	98.300.0000.0	1
Mounting rail TS 35, DIN rail, 15 mm high L = 2 m	35 x 24 x 15 EN 60715	98.360.0000.0	1	35 x 24 x 15 EN 60715	98.360.0000.0	1
Mounting rail TS 32, G rail ²⁾ L = 2 m	9006 EN 60715 G-32	98.190.0000.0	1	9006 EN 60715 G-32	98.190.0000.0	1
2. End clamp with U-foot ²⁾ 10 mm wide	WE 2/U	Z5.523.5653.0	100	WE 2/U	Z5.523.5653.0	100
End clamp TS 35, with screw 8 mm wide	9708/2 S 35	Z5.522.8553.0	100	9708/2 S 35	Z5.522.8553.0	100
End clamp TS 32, with screw ²⁾ 7.5 mm wide	9708	Z5.522.7053.0	100	9708	Z5.522.7053.0	100
3. End plate, 1.5 mm thick	gray					
	blue					
End plate, 2 mm thick	gray					
	blue					
4. Partition, 1.5 mm thick	gray					
	blue					
Partition, 2 mm thick	gray	TWN 35	07.311.7855.0 10			
	blue	TWN 35 BLAU	07.311.7855.6 10			
Partition, 3 mm thick	gray			TWN 70	07.311.7955.0 10	
	blue			TWN 70 BLAU	07.311.7955.6 10	
5. Cross connector with screws, E-Cu insulated (jumper)	2 pole	IVB WKN 35 - 2	Z7.285.2227.0 5	jumper bars uninsulated see page 222		
	3 pole	IVB WKN 35 - 3	Z7.285.2327.0 5			
	to 12 pole	IVB WKN 35 - 12	Z7.285.3227.0 5			
6. Single cover for cross conn. with mark.facility		AD VB 35 GELB	04.326.2553.8 10	AD VB 70 GELB	04.326.2653.8 10	
7. Partition plate with marking facility						
Partition plate with cover						
8. Cover strip for cross conn. over 10 blocks						
Cover strip with warning symbol over 4 blocks		AD VB 16/4 GELB	04.343.5256.8 10	AD VB 24/4 GELB	04.343.5356.8 10	
For more accessories see pages 216-229 and 238-243	*) For maintaining the proper isolation distances, the open side of a feed-through terminal block as well as both sides of a jumper are to be covered by partitions.					
For marking systems see pages 230-237	1) Please note the mounting instructions on page 126. 2) Do not use in Ex environments. 3) with/without jumper					

Feed-through blocks type **WKN**



enclosed design

WKN 150/U

fine-stranded	stranded	V	A
35-150 mm ²	35-185 mm ²	1000 V/8 kV/3	309
No. 2/0	AWG - 350 kcmil	600 V	335/335
No. 2/0	AWG - 350 kcmil	600 V	365
35-150 mm ²	35-185 mm ²	750 V	290/309 ³⁾
28 mm			30 mm



Type	Part No.	Std. Pack
WKN 150/U	57.597.0155.0	10
WKN 150/U BLAU	57.597.0155.6	10
35 x 27 x 7,5 EN 60715	98.300.0000.0	1
35 x 24 x 15 EN 60715	98.360.0000.0	1
9006 EN 60715 G-32	98.190.0000.0	1
WE 2/U	Z5.523.5653.0	100
9708/2 S 35	Z5.522.8553.0	100
9708	Z5.522.7053.0	100
jumper bars unisulated see page 222		
AD VB 28/4 GELB	04.343.5456.8	10